

# EDCON-COMPONENTS

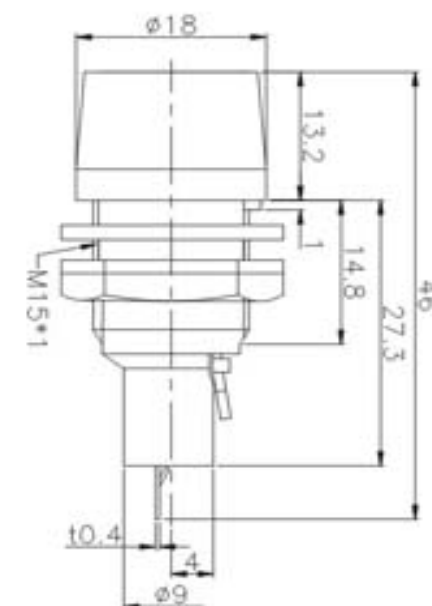


## Technical Discription

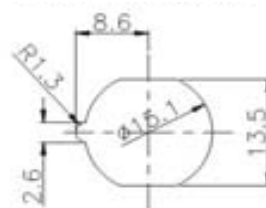
## Drawing

EDCON-COMPONENTS Fuse Holders features for easy removal, clearly printed / imprinted "FUSE" for easy panel identification and keyed mounting hole requirement for anti rotation safety. All fuse holders include mounting washer and solder lugs for wiring.

Rated Current	10A / 250VAC
Insulation Resistance at 500VDC	>1000MΩ Min.
Contact Resistance	<5mΩ @ 1A DC
Dielectric Strength for 60seconds	>AC3000V / 60°
Material Contact:	CuZn37 + Ni+Sn
Terminal	Soldering Terminal
Material Body:	PC UL 94V0



## Panel Layout



## Approvals

UL, CSA

## Panel Mount Fuse Holder for 5,2x20mm

Part No.: **R54017**

Customer:

DRW:	Jason	CHKD	Wilson	MATL:	Wilson	TOLERANCE	Mason	DATE	30.11.2012
APPD:	Schumi			FINISH	Jamy		Sheet No.		1 from 2

# EDCON-COMPONENTS



## Ordering Informations

Serie	Range	No function	ROHS	Packing						
-------	-------	-------------	------	---------	--	--	--	--	--	--

<b>R54017</b>	-	<b>B</b>	<b>X</b>	<b>R</b>	<b>BU</b>					
---------------	---	----------	----------	----------	-----------	--	--	--	--	--

<b>B= 10A</b>		<b>R= ROHS Conform</b>	<b>BU= Bulk-Ware</b>
			<b>IV= Individual Package</b>

<b>Panel Mount Fuse Holder for 5,2x20mm</b>
Part No.: <b>R54017</b>
Customer:

DRW:	Jason	CHKD	Wilson	MATL:	Wilson	TOLERANCE	Mason	DATE	30.11.2012
APPD:	Schumi			FINISH	Jamy		Sheet No.		2 from 2